

**RADIOCONTACT**  
LIMITED



**WIRELESS TRANSMISSION  
PRODUCTS  
INSTALLATION GUIDE**

**ARL24/D  
FLEXICONTROL**

***ARL24/D Flexicontrol***

**Installation Instructions**

The ARL24/D Flexicontrol system utilises the audio channel of any of Radiocontacts' wireless video / audio transmission systems (2.4GHz or 5.8GHz) to transmit two independent control signals e.g. from a PIR, fire detector, call button etc. connected to a video transmitter over air to a video receiver in order to control external devices such as sounders, cameras, VCR etc., see Figure 1.

The system operates by generating a DTMF pulse each time the ARL24D transmitter SW1 or SW2 is opened or closed. This tone is transmitted via the video transmission systems audio channel and received by the video receiver where it is output to the ARLD24 receiver. Two independent change-over relay contacts are available on the ARL24D receiver for alarm or function switching.

Note:- SW1 and SW2 control lines are pulled to +5V via 4K7 resistors.

Switched input controls (SW1 and SW2) for the ARL24D transmitter are required to be connected to ARLD24 ground via isolated relay or switch contacts. The corresponding relays at the receiver are isolated changeover contacts as shown in Figure 2. These relays are energised for as long as the SW1 or SW2 inputs at the transmitter are grounded.

Both the ARL24D transmitter and receiver must be connected to the same +12V and GND as the host wireless transmission system.

## ARL24/D FLEXICONTROL

Wireless Transmission Accessories  
Compatible With All Radiocontact  
Video / Audio Transmission Systems



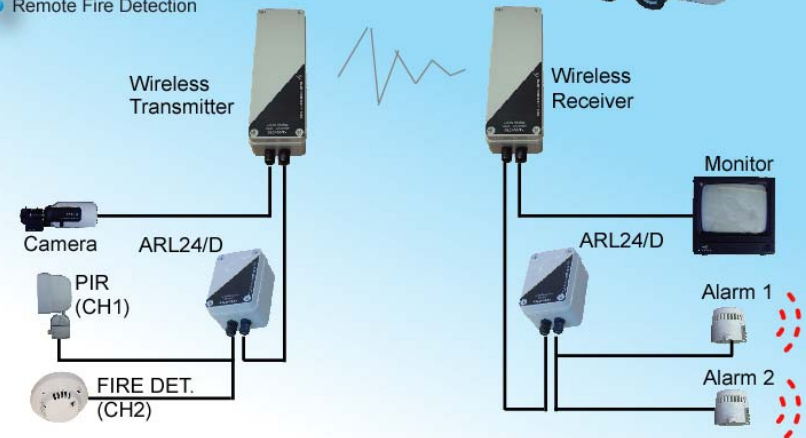
The ARL24/D utilises the audio channel of a wireless transmission system to transmit two independent input signals e.g. from a PIR, fire detector, call button etc. connected to a video transmitter over air to a video receiver in order to control external devices such as sounders, cameras, VCR etc.

### Main Features

- 12V DC Operation
- Low Current Consumption <120mA (On State)
- Input: 2 independent volt free N.O. relay Contacts
- Output: 2 independent Change Over Relay Contacts
- Relay Contacts rated at 1A @ 24 V DC
- Lightweight Design
- Supplied With Pole Mounting Kit and User manual
- IP65 Sealed Housing
- Uses Short Pulsed DTMF Tones For Accurate And Robust Control
- Temperature 0°C to +50°C

### Applications

- Remote PIR trigger Indication
- Remote Call Button
- Remote recording Trigger
- Remote Gate Operation
- Remote Barrier Operation
- Remote Fire Detection



Radiocontact Ltd, 37 Montgomery Rd, Castlereagh Ind. Est. Belfast BT6 9HL  
T: +44 (0)28 9040 1742 - F: +44 (0)28 9040 1746 - info@radcon.com - www.radcon.com

Figure 1 Connection of ARL24D to Wireless Transmission System

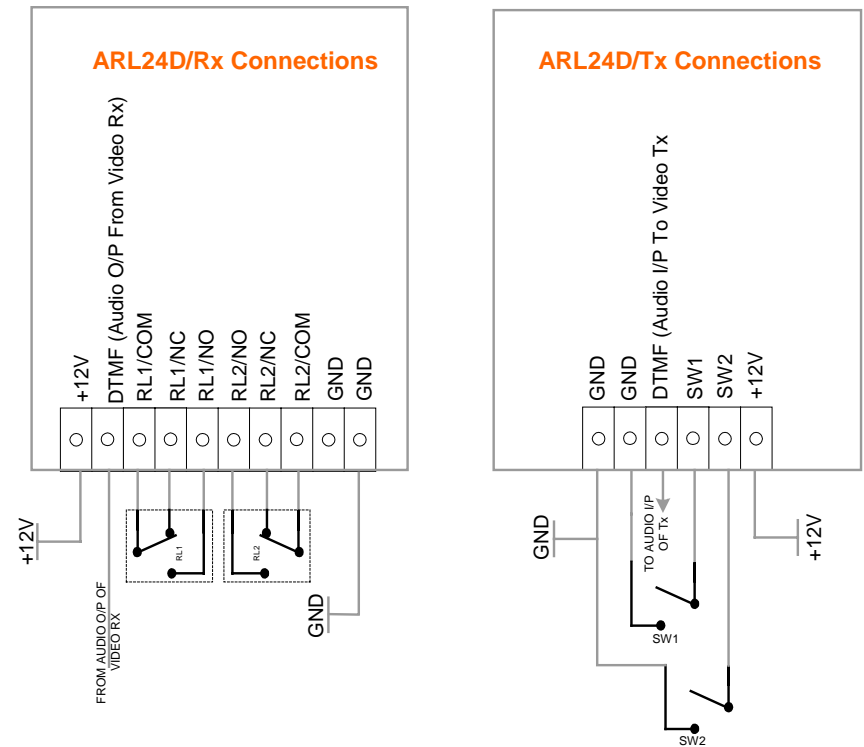


Figure 2 Internal connection of ARL24D

**Note 1:** GND connections in both the ARL24D and associated Rx/Tx units must be connected together.

**Note 2:** As the ARL24 is using the Wireless link to transmit its signal, its operation will be dependent on the quality of this signal.

**Note 3:** SW1 and SW2 require a normally open link to GND which closes during an alarm event.

**Note 4:** On video transmissions with stereo audio (Audio L and Audio R) it is necessary to ensure the same audio channel is used for both transmitter and receiver.

***Disposal Instructions***



This symbol on products means that the product concerned should not be mixed with general household waste.

**WEEE Compliance B2B Terms & Conditions**

The B2B end user is responsible for all liabilities regarding the environmentally sound disposal of this EEE when it is discarded as WEEE.

The producer may, for commercial reasons only, offer a take back option when a B2B end user is purchasing a new product, however, this will be decided on a case by case basis and may incur a charge.

For local environmental sound disposal please contact 0845 257 7024 or [info@weelight.co.uk](mailto:info@weelight.co.uk) for a free no obligation quote for the removal of WEEE items from a B2B end user.

**COPYRIGHT & DISCLAIMER**

This document is the property of Radiocontact Ltd and the information contained therein may only be used for the purposes authorised; any reproduction in whole or in part may be an infringement of copyright. Permission for reproduction must be obtained from Radiocontact Ltd.

The information contained is provided as a general outline to installation of RF equipment. Radiocontact Ltd reserves the right to change the following technical information without prior notification. Radiocontact Ltd. does not accept responsibility for any loss or damage resulting from the information contained in this document.

